

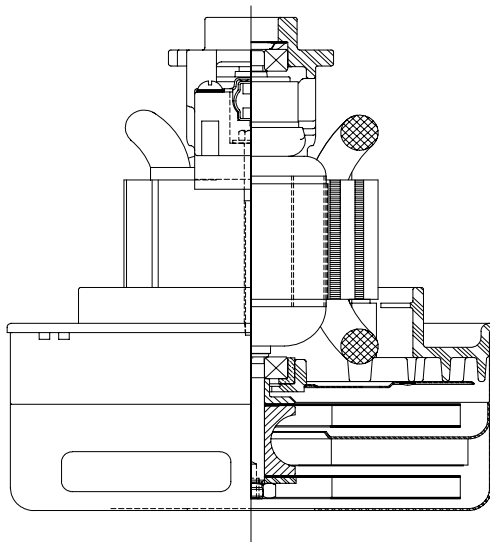
**Model: 133110-00**

**DESCRIPTION**

- Two stage
- 240 volts
- 5.7"/145 mm diameter
- Ball/Ball bearings
- Single speed
- Thru-flow discharge
- Aluminum fan end bracket
- Thermoset commutator bracket

**DESIGN APPLICATION**

- Equipment operating in environments not requiring separation of working air from motor ventilating air
- Designed to handle clean, dry, filtered air only

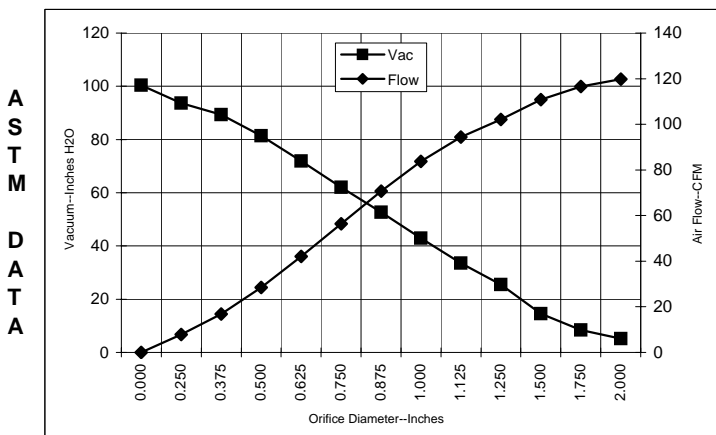


**SPECIAL FEATURES**

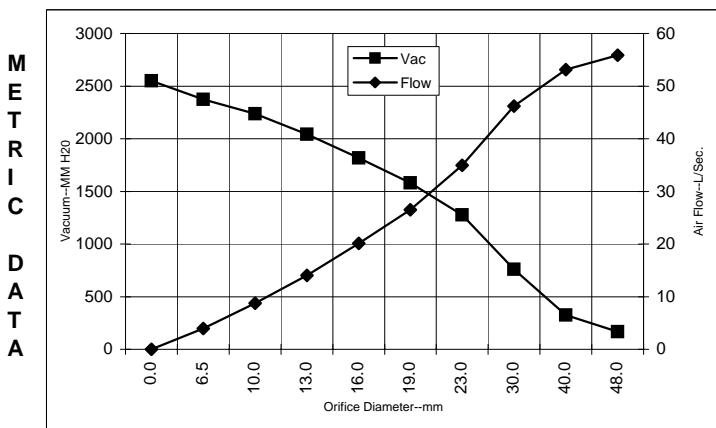
- Suitable for 240 volt AC operation, 60 Hz
- UL recognized, category PRGY2 (E47185).
- CSA Certified, MC# 168884, Class 1611-01
- Provision for grounding.
- Skeleton-frame design.
- Thermostatic protection, automatic reset.
- Aluminum fan end bracket designed to dampen vibration and improve durability
- The Value Line vacuum motors offer a range of performance levels to meet design needs.

**TYPICAL MOTOR PERFORMANCE.\***

(At 120 volts, 60Hz, test data is corrected to standard conditions of 29.92 Hg, 68° F.)



Orifice (Inches)	Amps	Watts (In)	RPM	Vac (In.H2O)	Flow (CFM)	Air Watts
2.000	5.3	1197	22475	5.2	119.8	73
1.750	5.4	1195	22530	8.4	116.5	116
1.500	5.5	1196	22530	14.6	110.9	190
1.250	5.6	1199	22530	25.5	102.1	307
1.125	5.6	1196	22630	33.6	94.4	373
1.000	5.5	1184	22680	42.9	83.8	423
0.875	5.3	1154	23080	52.7	70.8	438
0.750	5.0	1089	23580	62.1	56.4	412
0.625	4.7	1026	24485	71.9	42.1	356
0.500	4.3	943	25485	81.4	28.5	272
0.375	4.0	877	26595	89.3	16.8	176
0.250	3.6	814	27845	93.7	7.9	87
0.000	3.4	769	28900	100.4	0.0	0



Orifice (mm)	Amps	Watts (In)	RPM	Vac (mm H2O)	Flow (L/Sec)	Air Watts
48.0	5.3	1196	22499	168	55.9	92
40.0	5.5	1196	22530	324	53.1	168
30.0	5.6	1197	22585	761	46.2	343
23.0	5.4	1162	22980	1275	34.9	435
19.0	5.0	1088	23598	1582	26.5	411
16.0	4.7	1029	24449	1817	20.1	358
13.0	4.3	951	25385	2042	14.1	281
10.0	4.0	887	26429	2238	8.8	191
6.5	3.6	817	27783	2373	3.9	92
0.0	3.4	769	28900	2550	0.0	0

Note: Metric Performance data is calculated from the ASTM data above.

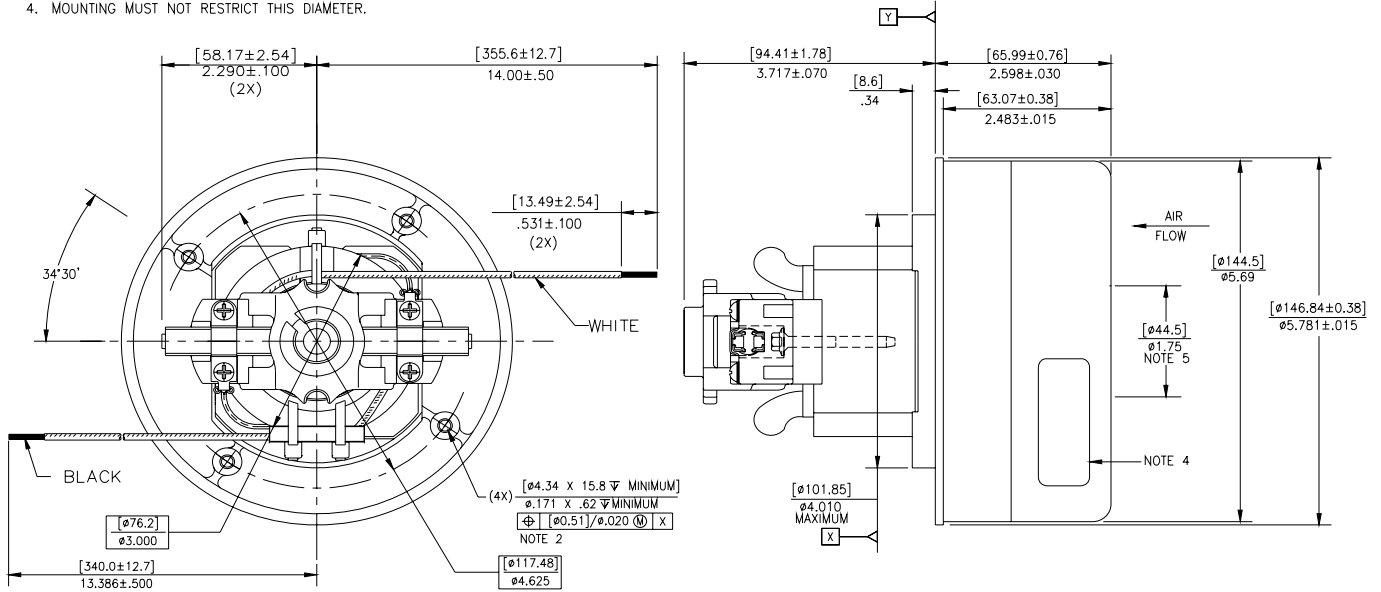
\* Data represents performance of a typical motor sampled from a large production quantity. Individual motor data may vary due to normal manufacturing variations.

<b>Test Specs:</b> 240 volts	<b>Minimum Sealed Vacuum:</b> 96.0"	<b>ORIFICE:</b> 7/8 "	<b>Minimum Vacuum:</b> 44.0"	<b>Maximum Watts:</b> 1130
------------------------------	-------------------------------------	-----------------------	------------------------------	----------------------------

**DIMENSIONS**

**NOTES:**

1. LEADS: 18GA STRANDED, LEADS CAN BE ANY COLOR EXCEPT GREEN OR GREEN WITH YELLOW STRIPE.
2. GROUNDING OR EARTHING PROVISIONS: USE HOLES AS INDICATED FOR GROUNDING OR EARTHING. REFER TO APPROPRIATE LISTING OR REGULATORY AGENCY FOR PROPER METHOD OF GROUNDING OR EARTHING.
3. MOTOR IDENTIFICATION: MODEL NUMBER, DATE OF MANUFACTURE, UL & CSA RECOGNITION CODE, INSPECTOR'S CODE, MANUFACTURER'S NAME, MADE IN U.S.A., VOLTAGE, FREQUENCY AND CUSTOMER PART NUMBER, AND ISOLATIONSKLASSE B TO APPEAR ON ASSEMBLY.
4. MOUNTING MUST NOT RESTRICT THIS DIAMETER.



**IMPORTANT NOTE:** Pictorial and dimensional data are subject to change without notice. Contact factory for current revision levels.

**WARNING** - AMETEK Global Motor Division thru-flow vacuum motors must never be used in applications in which wet or moist conditions are involved, where dry chemicals or other volatile materials are present, or where airflow may be restricted or blocked. Such motors are designed to permit the vacuumed air to pass over the electrical winding to cool it. Thus any foam, liquid (including water), dry chemical, or other foreign substance coming in contact with electrical conductors could cause combustion (depending on volatility) or electrical shock. Failure to observe these precautions could result in property damage and severe personal injury, including death in extreme cases. All applications incorporating Ametek commercial motors should be submitted to Underwriters Laboratories Inc. or other appropriate organizations or agencies for testing specifically related to the safety of your equipment.

**AMETEK - Global Motors**  
 627 Lake Street  
 Kent, Ohio 44240  
 U.S.A.  
 Tel: (330) 673-3451 Fax: (330) 677-3812  
 www.specialtymotors.com or www.lambelectric.com